



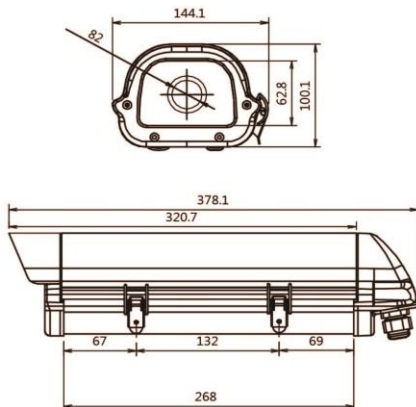
HHC-HH490Z

HD ANALOG 4M@30fps / Optical x4 Zoom
CMOS COLOR IR HOUSING CAMERA

FEATURES

- 1/2.8" 5.1Megapixel SONY Starvis CMOS
- 1440P AHD/TVI@30fps&960H CVBS Solution
- True Day & Night
- D-WDR
- 2D & 3D Digital Noise Reduction
- Lens Shading Correction, Mirror
- Built-in UTC Communication
- 90pcs IR LED(90m)
- DC Varifocal Motorized ICR Lens f=2.7~12.0mm
- Option : OSD Controller
- IP66 Weatherproof

DIMENSION



CAMERA SPECIFICATIONS

Signal Format	NTSC/PAL
Image Sensor	1/2.8" 5.1Mega pixel SONY Starvis CMOS
Effective Pixels	2616(H) x 1964(V)
Scanning System	Progressive Scan
Resolution	1440p@30fps (AHD/TVI) (CVBS : 960H)
Min. Illumination	Color : 0.1 lux/BW : 0.08 lux
Electronic Shutter Speed	NTSC : 1/30~1/50,000sec PAL : 1/25~1/50,000sec
S/N Ratio	More than 52dB (AGC off)
Backlight	OFF / ON
White Balance	ATW / AWC -> SET
2D + 3D DNR	OFF / LOW / MIDDLE / HIGH
Day & Night	AUTO / COLOR / BW / EXT
Mirror	OFF / MIRROR / V-FLIP / ROTATE
D-WDR	ON / OFF
Sharpness	OFF / LOW / MIDDLE / HIGH
LSC	OFF / ON
Smart IR	OFF / ON
DPC	Live DPC(OFF/ON) / White DPC222(OFF/ON)
Communication	UTC
Lens	DC Varifocal Motorized ICR Lens f=2.7~12.0mm
Power Supply	DC 12V ±30%
Power Consumption	Max. 13.1W
Operating Temperature	-10°C ~ +50°C (Humidity : 0%RH ~ 80%RH)
Dimension	144.1(W) x 100.1(H) x 378.1(D)mm
Weight	Approx. 1.1g(W/Sunshield & Bracket)